

WOODmagazine.com Woodworking Basics

[Return Home](#) [Back to Story](#)

<http://www.woodmagazine.com>

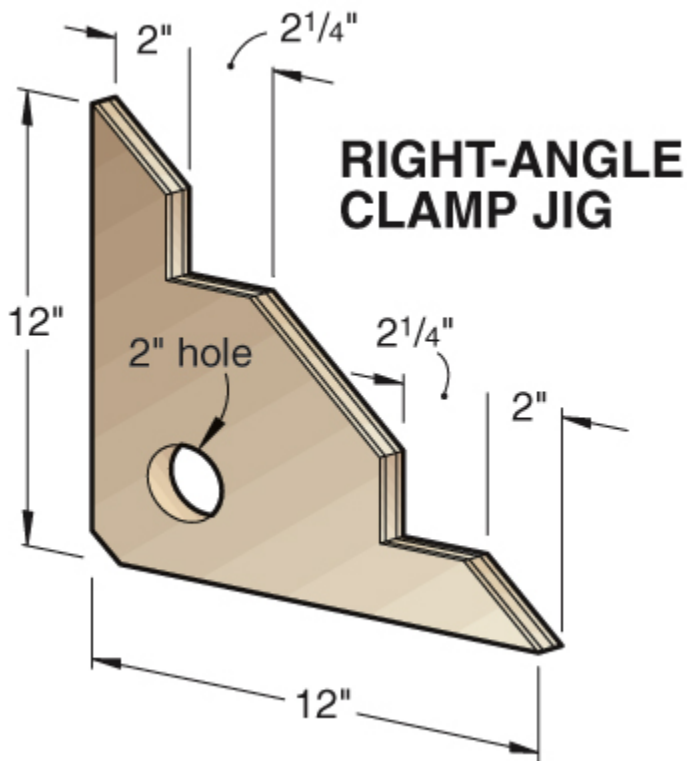
Right-angle jig gives you a corner on clamping tasks

Anytime you need to hold two large workpieces at a right angle, say while you're screwing or gluing them together, you need one or more of these plywood triangles. As shown in the photo *right*, these right-angle jigs have two notches for accepting clamp jaws. The circular cutout comes in handy for temporarily holding the jig in place with a spring clamp while you position bar clamps on the notches. It also gives you a way to hang the jig on a peg when you're through.

Like most of the jigs, the more you use this helper the more jobs you'll find for it. Although we designed the jig for carcass assembly, we also found it handy for holding an on-edge picture frame rigidly to a bench as we sanded the frame's edges.



+ ENLARGE IMAGE



© Copyright2006 Meredith Corporation. All Rights Reserved.